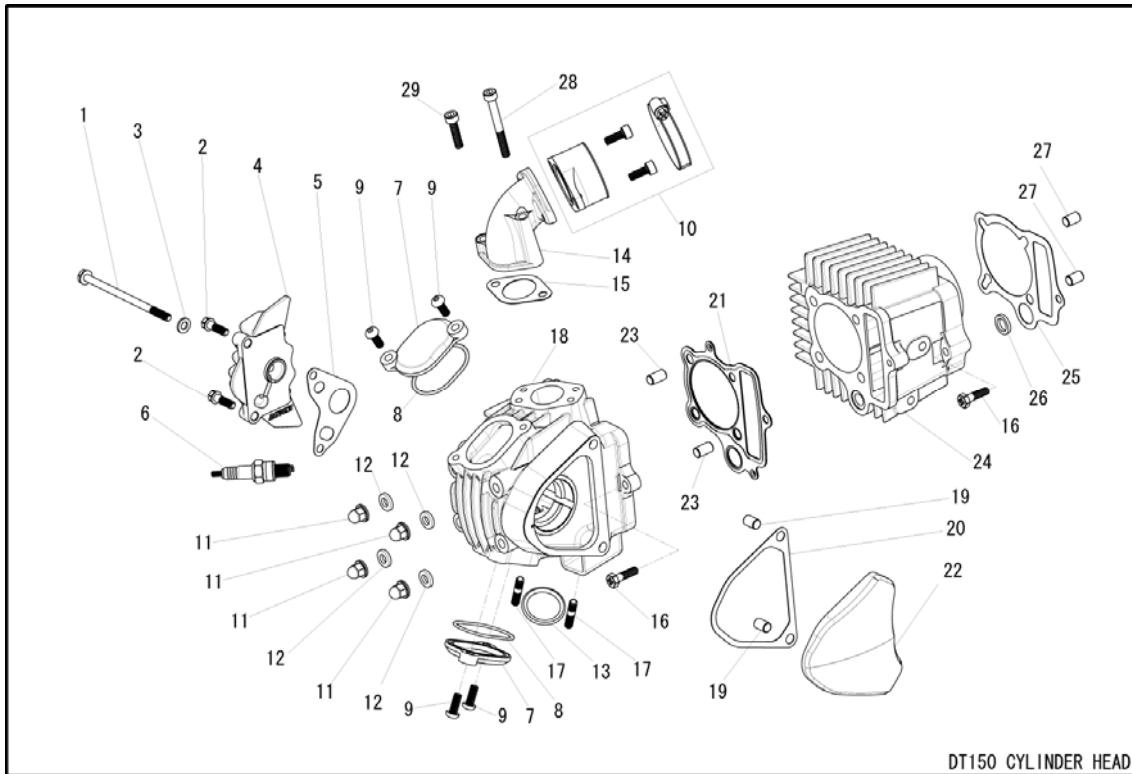


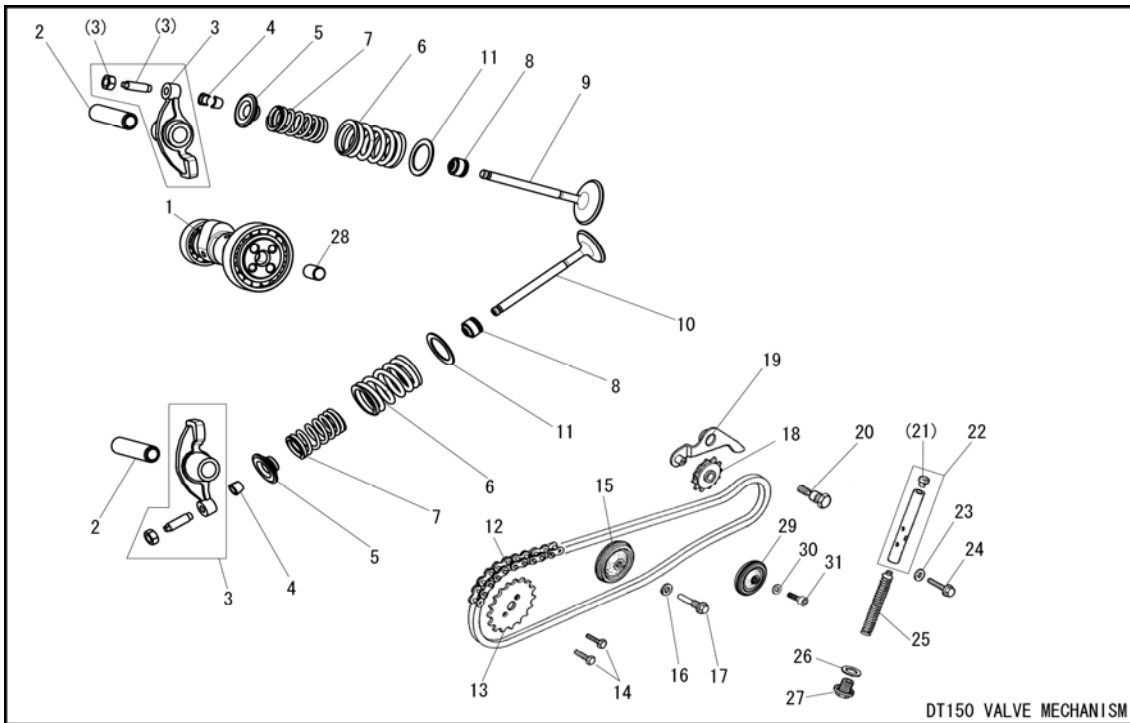
CYLINDER HEAD



DT150 CYLINDER HEAD

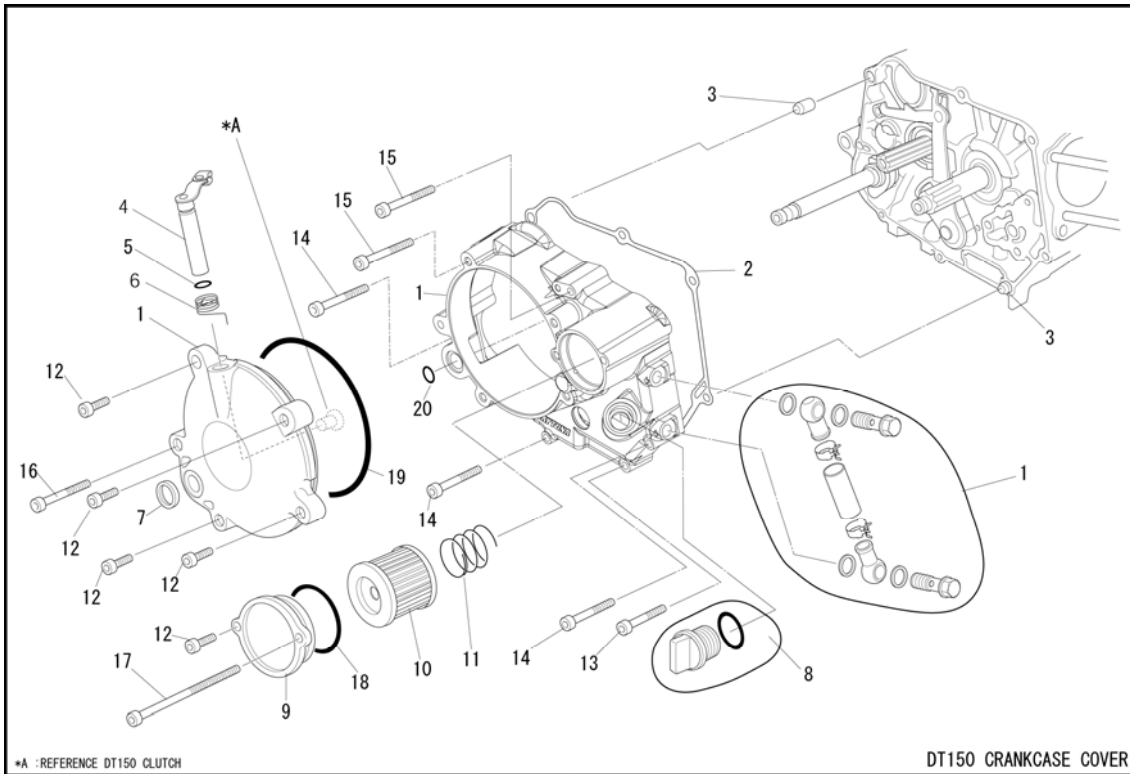
CYLINDER HEAD			
Ref No.	Part No.	English Description	Q' ty
1	83693	BOLT M6 x 110	1
2	83716	BOLT M6 x 20	2
3	83694	WASHER 6.5 x 1 x 12	1
4	84386	COVER, R.CYLINDER HEAD SIDE	1
5	84400	GASKET, CYLINDER HEAD RIGHT COVER	1
6	84650	SPARK PLUG	1
7	84667	COVER ASSY, VALVE CHAMBER	2
8	84668	O-RING,TAPPET COVER	2
9	84403	BUTTON HEAD BOLT M6 x 15	4
10	46758	RUBBER MANIFOLD SET	1
11	83700	NUT M7	4
12	83702	WASHER 7.3 x 2.5 x 14(Cu)	4
13		EXHAUST GASKET	1
14	84387	INTAKE MANIFOLD	1
15	84358	GASKET,INTAKE	1
16	83705	BOLT M6 x 23	2
17	83703	STUD M6 x 32	2
18	84362	CYLINDER HEAD	1
19	83712	DOWEL PIN 8 x 12 x 6.3	2
20	84401	GASKET, CYLINDER HEAD LEFT COVER	1
21	84359	GASKET , CYLINDER HEAD	1
22	84385	COVER,L,CYLINDER HEAD SIDE	1
23	83709	LOCATING DOWEL 8 x 14 x 7	2
24	84363	CYLINDER	1
25	84360	GASKET , CYLINDER BASE	1
26	83717	RUBBER GASKET	1
27	83712	DOWEL PIN 8 x 12 x 7	2
28	32788	BOLT M6 x 55	1
29	84402	BOLT M6 x 25	1

VALVE MECHANISM



VALVE MECHANISM			
Ref No.	Part No.	English Description	Q'ty
1	84428	CAMSHAFT COMP	1
2	84334	SHAFT VALVE ROCKER ARM	2
3	84669	ASSEMBLY, VALVE ROCKER ARM	2
4	26550	VALVE COTTER SET(4)	1
5	26553	RETAINER SET	1
6	84399	VALVE SPRING OUTER	2
7	84398	VALVE SPRING INNER	2
8	84336	VALVE STEM SEAL	2
9	84371	INTAKE.VALVE	1
10	84372	EXHAUST.VALVE	1
11	84670	SPRING,SEAT	2
12	84368	TIMING CHAIN ASSY (88)	1
13	83725	TIMING DRIVEN SPROCKET	1
14	83726	BOLT M5 × 12	2
15	84644	CHAIN GUIDE ROLLER GROUP (45)	1
16	83729	WASHER 8.5 × 1.5 × 14	1
17	83730	PIN, CAM CHAIN GUIDE ROLLER	1
18	84645	TENSIONER ROLLER ASSY	1
19	83859	TENSIONER LEVER COMP	1
20	83734	AXLE, CAM CHAIN TENSIONER LEVER	1
21	83735	CHAIN TENSIONER PUSH ROD HEAD	(1)
22	83736	TENSIONER PUSH ROD ASSEMBLY	1
23	83737	WASHER 6.5 × 1.5 × 12	1
24	83738	BOLT M6 × 18	1
25	83739	SPRING, TENSION PUSH ROD	1
26	83740	WASHER 14.2 × 1.5 × 20	1
27	83741	SEALING PLUG M14 × 1.5	1

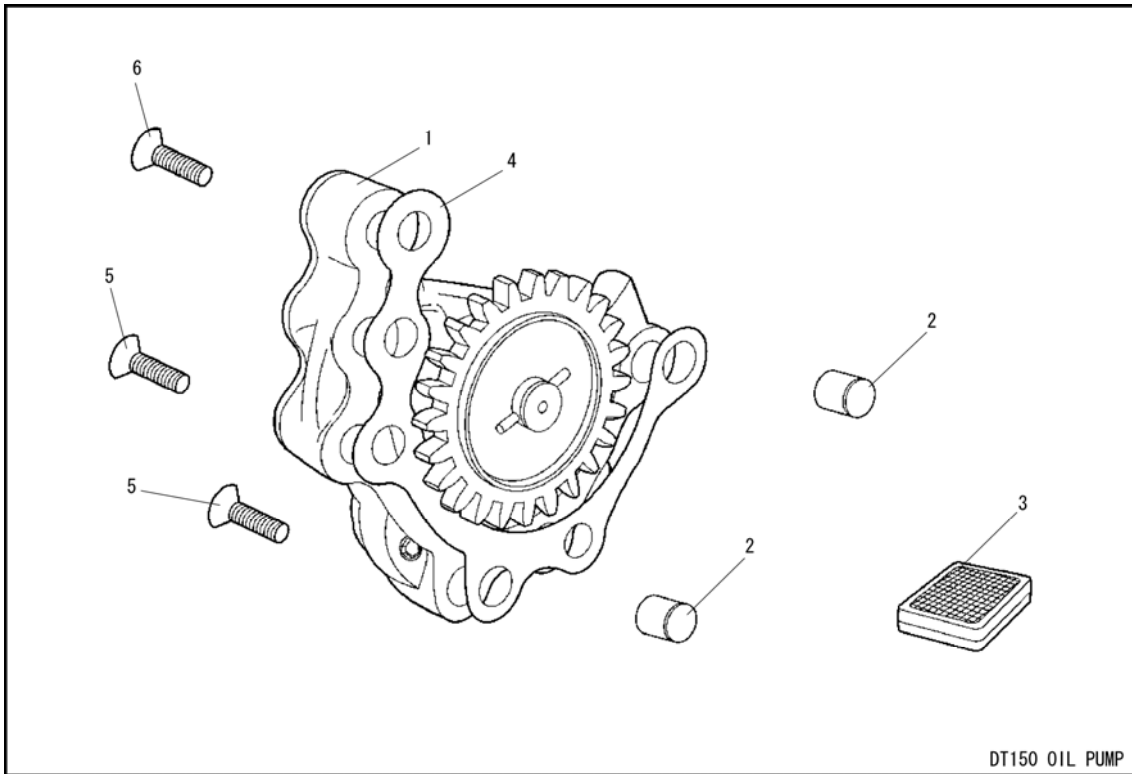
CRANKCASE COVER



DT150 CRANKCASE COVER

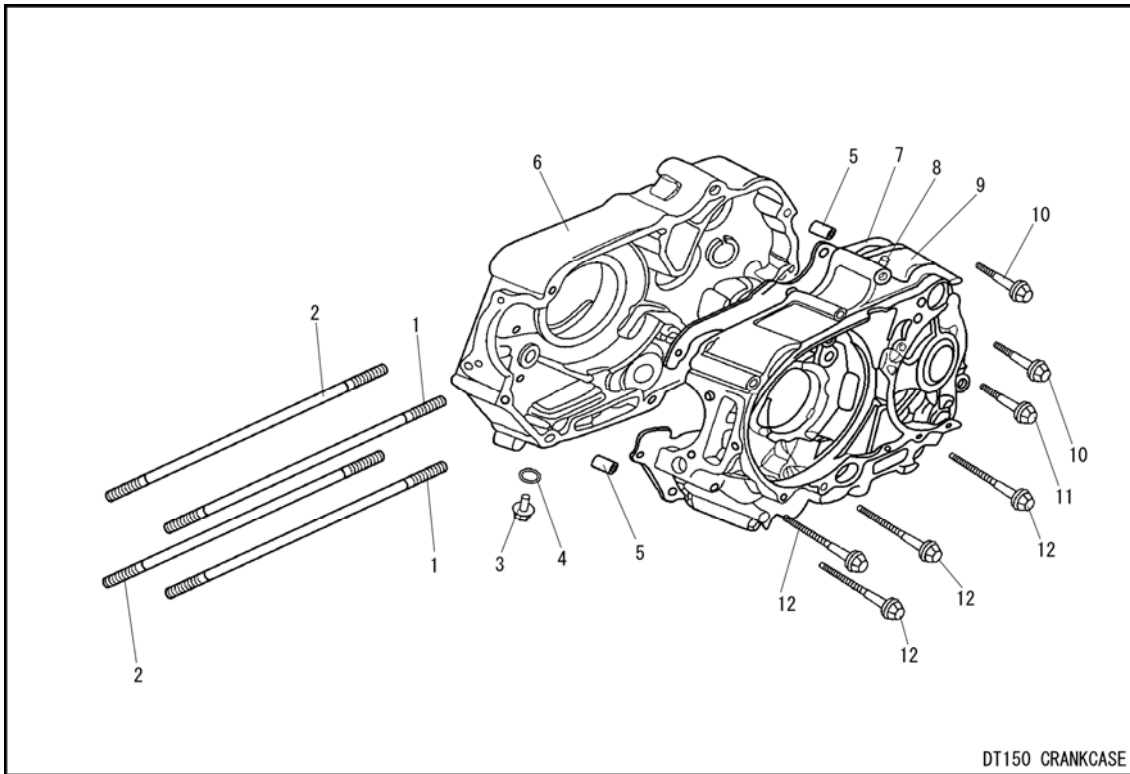
CRANKCASE COVER			
Ref No.	Part No.	English Description	Q'ty
1	84219	CRANK CASE COVER ASSY	1
2	84673	GASKET, R.CRANKCASE COVER	1
3	83747	LOCATING DOWEL 8 × 12X6.3	2
4	83742	CLUTCH LEVER	1
5	84229	O-RING,P9	1
6	83743	CLUTCH LEVEL SPRING	1
7	83767	OIL SEAL 13.8x24x5,KICK SHAFT	1
8	84674	OIL RULER	1
9	84220	COVER,OIL FILTER	1
10	83489	OIL FILTER	1
11	83839	OIL FILTER SPRING	1
12	32784	BOLT M6 × 15	5
13	84642	BOLT M6 × 45	1
14	32787	BOLT M6 × 50	3
15	32788	BOLT M6 × 55	2
16	32790	BOLT M6 × 75	1
17	32792	BOLT M6 × 132	1
18	84226	O-RING,G45	1
19	84227	O-RING,G120	1
20	84228	O-RING,P14	1

OIL PUMP



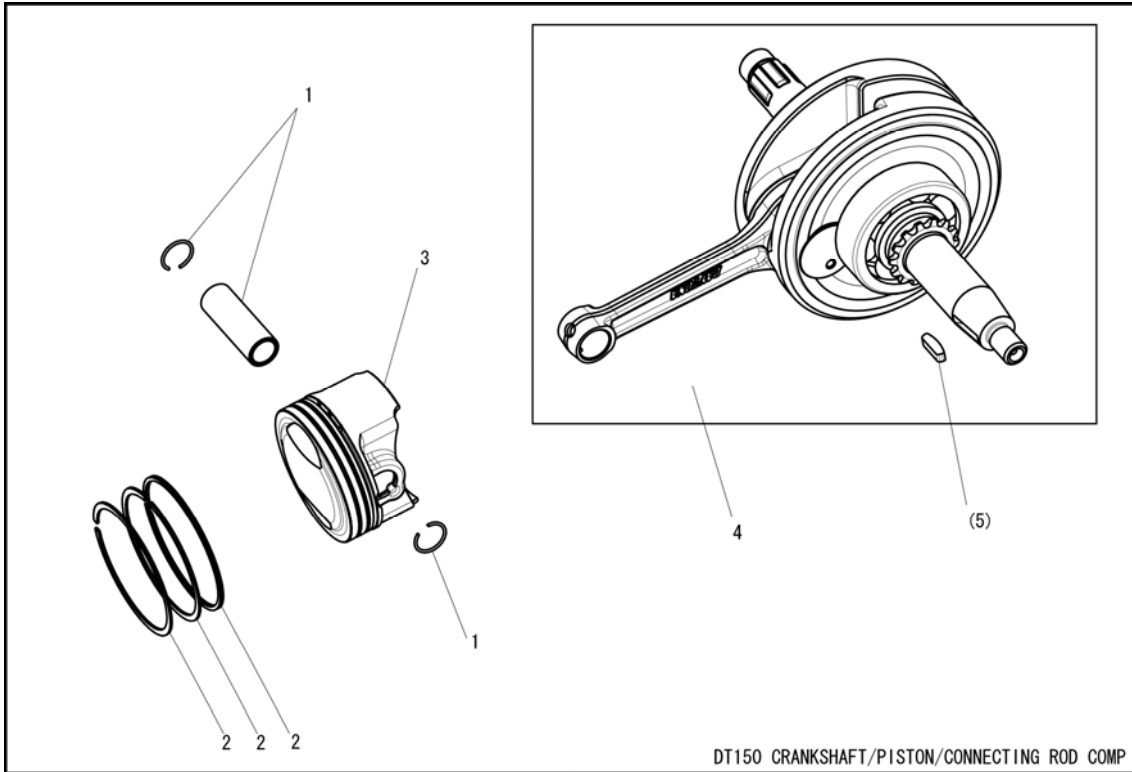
OIL PUMP			
Ref No.	Part No.	English Description	Q'ty
1	84675	OIL PUMP COMPONENT	1
2	83712	LOCATING DOWEL 8 × 12X6.3	2
3	83751	OIL FILTER SCREEN ASSY	1
4	84676	GASKET, OIL PUMP	1
5	84677	SCREWM6 × 40	2
6	84678	SCREWM6 × 35	1

CRANKCASE



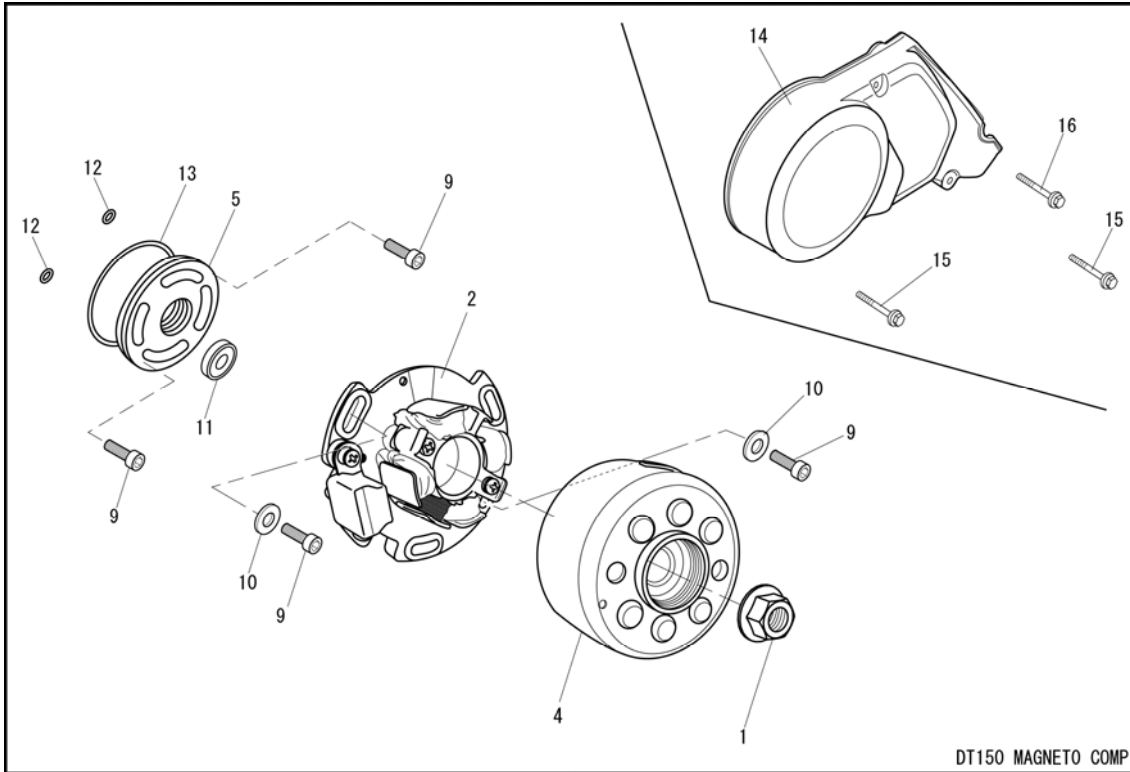
CRANKCASE			
Ref No.	Part No.	English Description	Q'ty
1	84879	STUD BOLT A (L217)	2
2	84880	STUD BOLT B (L209)	2
3	83755	OIL DRAIN PLUG M12 x 1.5	1
4	83754	WASHER 12.5 x 1.5 x 20	1
5	83720	LOCATING DOWEL 10 x 14	2
6	84881	RIGHT SIDE CRANK CASE(SMALL HOLE)	1
7	84882	GASKET, CRANKCASE	1
8	83758	TIE-IN, BREATHER TUBE	(1)
9	84883	LEFT SIDE CRANK CASE(SMALL HOLE)	1
10	83759	BOLT M6 x 60	2
11	83760	BOLT M6 x 45	1
12	83761	BOLT M6 x 65	4

CRANKSHAFT / PISTON



CRANKSHAFT/PISTON/CONNECTING ROD COMP			
Ref No.	Part No.	English Description	Q' ty
1	82924	PISTON PIT & CLIP, PISTON PIN(2)	1
2	84397	PISTON RING COMP	1
3	84361	PISTON 57mm	1
4	84364	CRANKSHAFT COMP.CONNECTING ROD	1
5		SEMICIRCULAR KEY 4 × 12.5	(1)

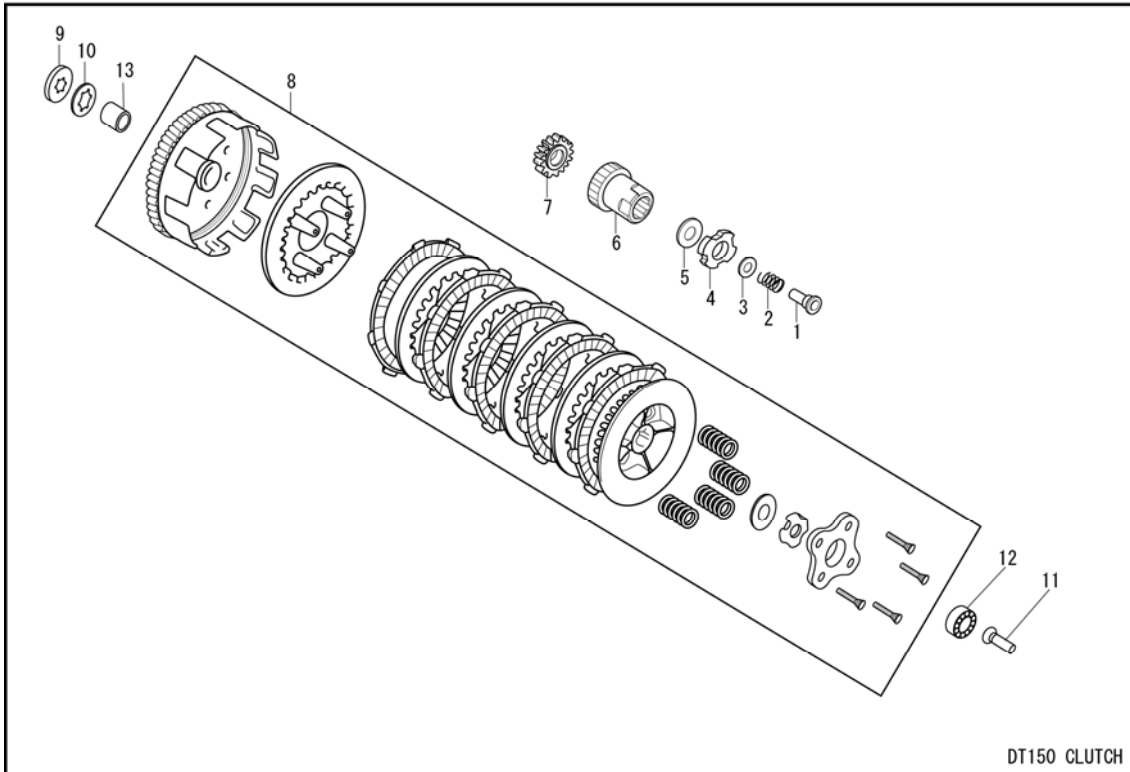
MAGNETO COMP



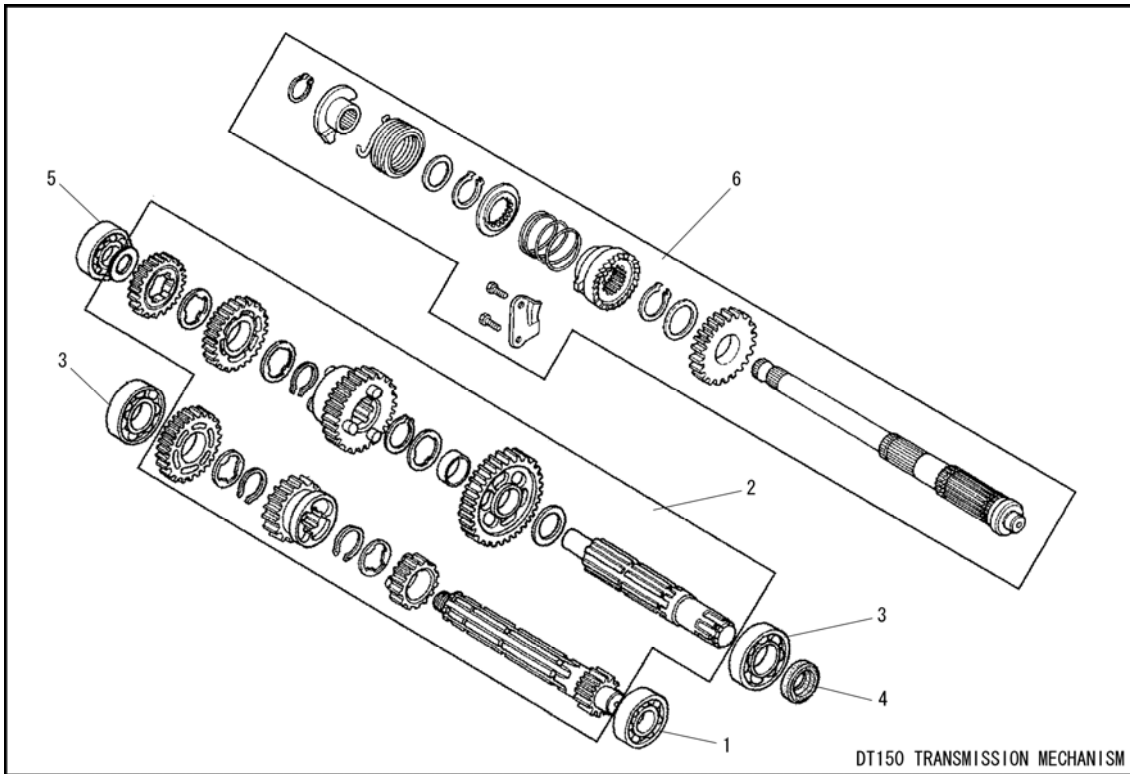
DT150 MAGNETO COMP

MAGNETO COMP			
Ref No.	Part No.	English Description	Q' ty
1	83763	NUT	1
2	83722	STATOR COIL	1
3	83744	WIRING	1
4	83762	ROTOR	1
5	84199	BASE PLATE	1
6	84200	CDI	1
7	84201	IG COIL	1
8	84202	PLUG CAP	1
9	32784	BOLT M6 x 15	4
10	84225	WASHER M6 (SUS)	2
11	83907	OIL SEAL,MAGNET ROTATOR	1
12	84221	O-RING 6.5 x 1.8	2
13	84222	O-RING 106.8 x 2	1
14	84684	MAGNET COVER(WITH LOGO)	1
15	84685	BOLT M6 X 28	2
16	84686	BOLT M6 X 35	1

CLUTCH

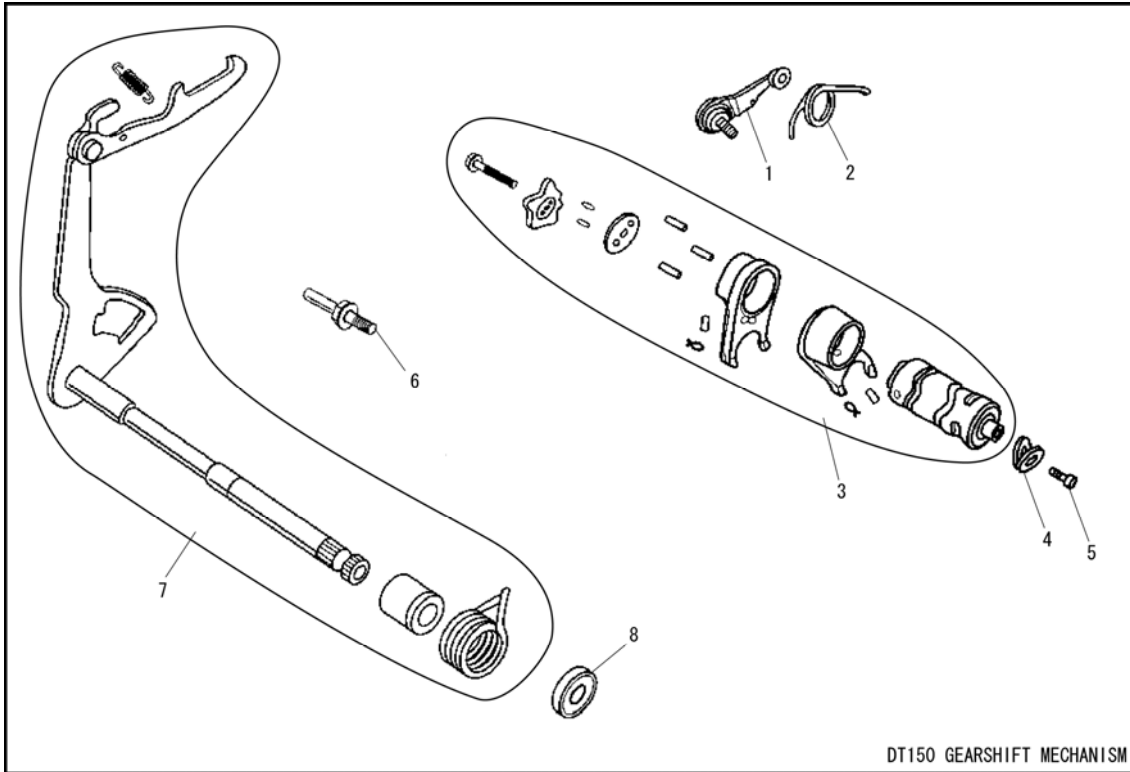


CLUTCH			
Ref No.	Part No.	English Description	Q'ty
1	84309	OIL THROUGH	1
2	83714	SPRING, OIL THROUGH	1
3	84225	WASHER M6 (SUS)	1
4	83768	LOCK NUT M14 × 1	1
5	83769	SPRING WASHER	1
6	84687	DRIVE GEAR 18T	1
7	84688	PUMP DRIVE GEAR	1
8	84460	CLUTCH ASSEMBLY	1SET
9	83772	SPRING WASHER, CLUTCH	1
10	83773	FIXING RING, CLUTCH	1
11	83787	PUSH ROD, CLUTCH	1
12	83786	BEARING (6000)	1

TRANSMISSION

TRANSMISSION MECHANISM			
Ref No.	Part No.	English Description	Q'ty
1	83788	BEARING (6001)	1
2	84689	GEAR,ASSEMBLY (MAIN & COUNTER)	1
3	83795	BEARING (6203)	2
4	83796	OIL SEAL 17 × 29 × 5	1
5	83808	BEARING (6201)	1
6	84690	KICK STARTING ASSEMBLY	1
	84544	SECOND GEAR 17T,MAIN	1
	84545	SECOND GEAR 29T,COUNTER	1

GEARSHIFT MECHANISM



GEARSHIFT MECHANISM			
Ref No.	Part No.	English Description	Q' ty
1	83822	LOCATING PLATE UNIT	1
2	83823	SPRING, LOCATING PLATE	1
3	84461	ASSEMBLY, GEARSHIFT DRUM	1
4	83833	CONTACT, GEAR INDICATION	1
5	83824	BOLT M6 × 16	1
6	83836	BOLT M8 × 11	1
7	84391	ASSEMBLY, GEARSHIFT LEVER	1
8	83837	OIL SEAL 11.6 × 24 × 10	1